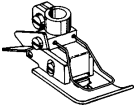
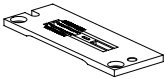
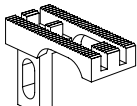


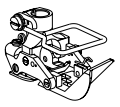
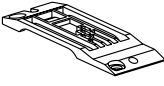
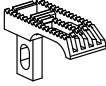

# SEWING PARTS



## Single Needle Chainstitch Spare Parts Matrix

STYLE			
	PRESSER FOOT ASSEMBLY	THROAT PLATE	FEED DOG
56300F	56320F	C51324W	51305W
56300G	G51320	G51324	51305A
56300R	56320H	C51324W	51305W
56300AV	43220D	C51224W	51205W
56300V	51320N	C56324A	56305A

## 2 & 3 Needle Chainstitch Spare Parts Matrix

STYLE				
	PRESSER FOOT ASSEMBLY	THROAT PLATE	FEED DOG	NEEDLE HEAD
56500R16	C50020F16	C50024R16	C50005N	51418-16
56500R18	C50020E18	C50024U18	C50005N	7018E5
56900P8	50320M8	50324N8	56905A9	35818N8
56900P9	56920A9	C56924A9	56905A9	C50018B9
56900R8	50320N8	50324P8	56905R9	35818N8
56900R9	56920R9	C56924R9	56905R9	C50018B9

# DEVICES & ATTACHMENTS



## INSTALLATIONS



Use this chart to choose the correct table top for 56300/56500/56900 machines. Table top dimensions are 51cm x 122cm. Underboard of 21371RY48 can be adjusted for use as a semi-submerged or fully submerged installation.

Model No.	Table Board Part Number	Table Board Description
56300/56500/56900 all styles	21371RY48	Semi-Submerged
	21371NT48	Non-Submerged

## ADDITIONAL INFORMATION



In addition to the 1/8" capacity folder that comes standard on multi-needle 56000 styles, two other sizes of full felled lapseam folders are available.

folder number \ machine style	56500R16	56500R18	56900P8	56900P9	56900R8	56900R9
23420S8-3/32	optional		optional		optional	
23420S9-3/32		optional		optional		optional
<b>23420S8-1/8</b>	<b>standard</b>		<b>standard</b>		<b>standard</b>	
<b>23420S9-1/8</b>		<b>standard</b>		<b>standard</b>		<b>standard</b>
23420S8-5/32	optional		optional		optional	
23420S9-5/32		optional		optional		optional

## HOW TO ORDER

