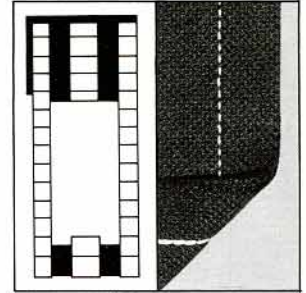


**Single-needle
Bobbinless machine
for seaming trousers,
slacks, coats and
similar garments**

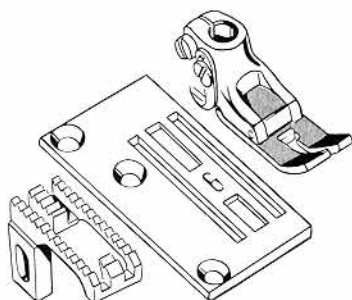


Style 56300G



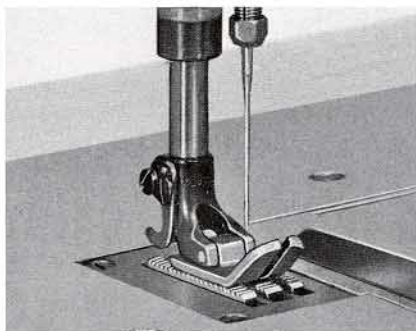
This advanced machine offers manufacturers the ultimate in speed and performance for single-needle "Bobbinless" seaming. Style 56300G is engineered using all of today's knowledge of design and modern materials. Electronically balanced and SEW-TESTED to the highest standards in the history of sewing machine manufacturing to give you a high production unit that will sew today's newest fabrics at highest speeds.

**ADVANCED single-needle
Bobbinless machine offers
high speed and top production
when seaming trousers, slacks,
coats and similar garments**



STYLE 56300 G

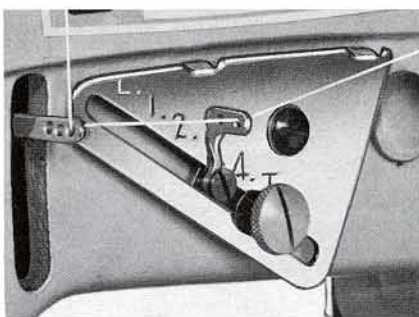
For seaming trousers, coats and similar operations on medium to medium heavy-weight material.



Close-up of Style 56300 G showing plain presser foot for the standard single-needle seamer.

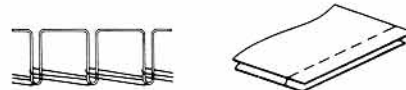
Features Designed to Benefit Your Production and Quality

- NEW, HIGHER SPEEDS
- LESS PRESSER FOOT PRESSURE
- INDEXED THREAD RATIO CONTROL
- NEW LOOPER THREAD TENSION MOUNTING
- AUTOMATIC LUBRICATION
- PRECISION MANUFACTURE



The thumbscrew adjustable needle thread frame eyelet assembly is capable of reducing seam pucker using a loose stitch as required with one fast, simple adjustment. This new indexed thread ratio control is calibrated clearly so that, with the machine set for one type of material, the operator, by simply moving the eyelet to a new position, can obtain the stitch best suited to other types of materials that may come through the line.

SPECIFICATIONS



Seam Specification 401 SSa-1

- Seam Specification 401 SSa-1
 Stitch Range 10 to 14 S.P.I.
 Standard Setting 14 S.P.I.
 Sewing Capacity $\frac{3}{8}$ " (9.52mm)
 Maximum Speed 6500 S.P.M.

WORLDWIDE SALES AND SERVICE

Union Special Machine Company
 One Union Special Plaza
 Huntley, Illinois 60142

www.unionspecial.com
www.the-needles-eye.com
www.juki.com